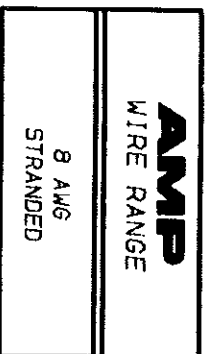


THIS DRAWING IS UNPUBLISHED. RELEASED FOR PUBLICATION

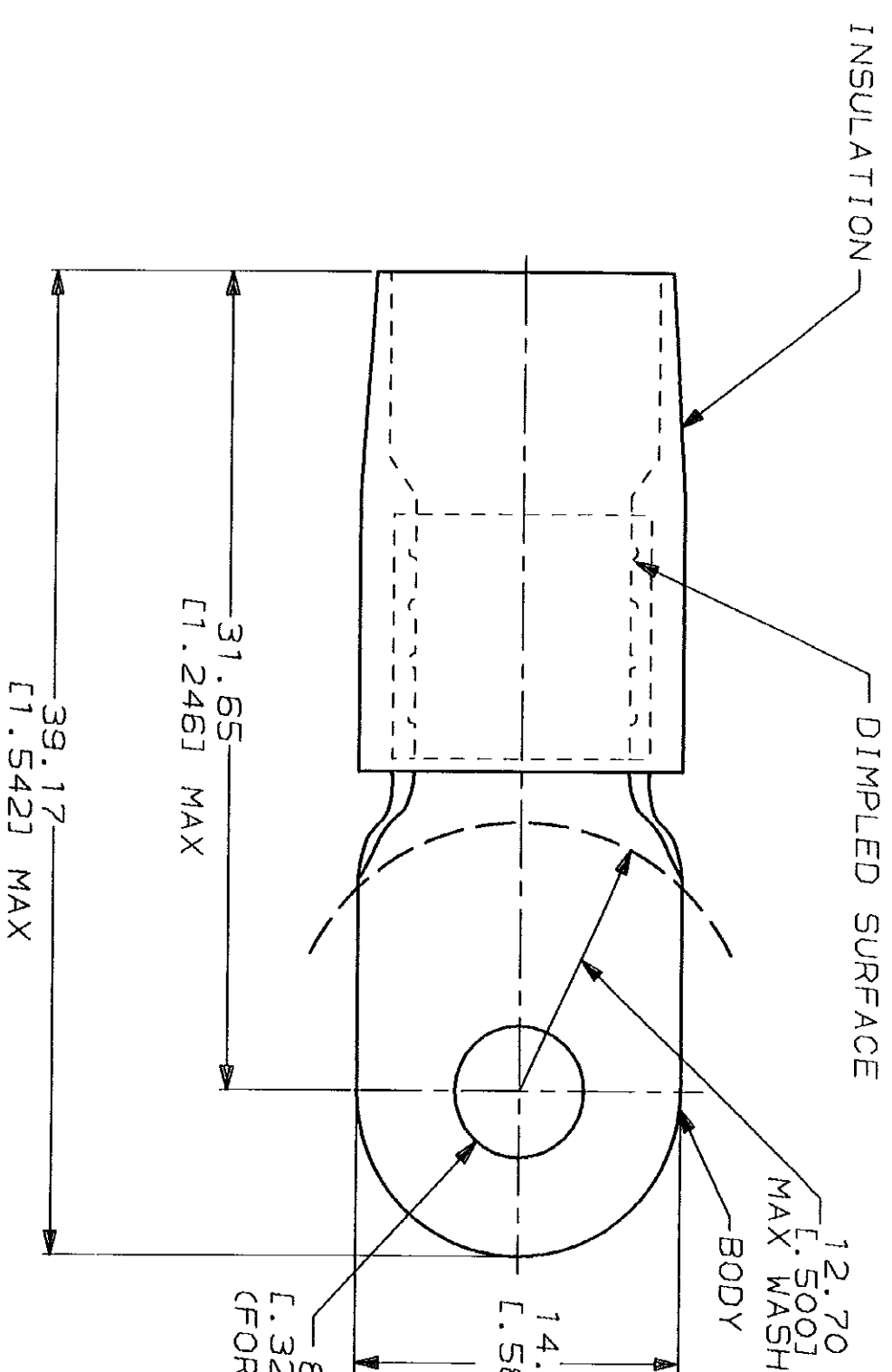
© COPYRIGHT 19 BY AMP INCORPORATED. ALL INTERNATIONAL RIGHTS RESERVED.

LOC	DIST	P	F	ZONE	LTR	REVISIONS	DESCRIPTION	DATE	APPD
G	14				D	EC 0720-0279-93		6-18-93	556 BB



**METRIOR**  
DIMENSIONS LISTED IN mm [ INCHES ]

1. TONGUE MATERIAL THK 1.02±0.08 [ 0.040±.003 ]  
FOR 6.50 [ 0.256 ] MAX WIRE INS DIA



**AMP INCORPORATED  
CUSTOMER SERVICE SYSTEMS**

FOR ADDITIONAL PRODUCT INFORMATION OR COPIES OF DRAWINGS AND TECHNICAL DOCUMENTS	PRODUCT INFORMATION CENTER 1-800-522-6752	MAX RECOMMENDED OPERATING TEMPERATURE: 105°C	DO NOT SCALE PRINT. UNLESS SPECIFIED OTHERWISE: DIMENSIONS IN MILLIMETERS TOLERANCES ON: 1. PLC DEC # 0.20 [ 0.008 ] 2. PLC DEC # 0.10 [ 0.004 ] 3. PLC DEC # 0.05 [ 0.002 ] ANGLES
FOR APPLICATION	TOOLING ASSISTANCE CENTER 1-800-722-1111	VOLTAGE RATING: -	MATERIAL: COPPER PER ASTM B-152 NYLON (MIL-M-20693) TYPE 1 COLOR: RED
TOOLING INFORMATION	1-800-722-1111	CIRCULAR MIL AREA: 6.64-10.5mm² [13,100-20,800] STRANDED	FINISH: TIN PLATE PER MIL-T-10727
FOR ORDER ENTRY	1-800-526-5142		DR 6-18-93 S.S. GULDEN CHK 6-18-93 R. HERREY APPD 6-18-93 B. BARE APPD 6-18-93 M. ELLIS PRODUCT SPEC

THIS DRAWING IS A CONTROLLED DOCUMENT FOR AMP INCORPORATED. IT IS SUBJECT TO CHANGE AND THE CONTROLLING ENGINEERING ORGANIZATION SHOULD BE CONTACTED FOR THE LATEST REVISION.

MS25036-117 CLASS 2	MILITARY P/N AND CLASS	QTY	PACKAGE TYPE	LOOSE PC	PART NO	324044
------------------------	------------------------	-----	--------------	----------	---------	--------

AMP	AMP Incorporated Harrisburg, PA 17105-3608
TERMINAL, RING TONGUE, TERMINYL WIRE SIZE: 8 AWG	
SIZE: B	CAGE CODE: 00779
SCALE: NTS	DRAWING NO: 324044